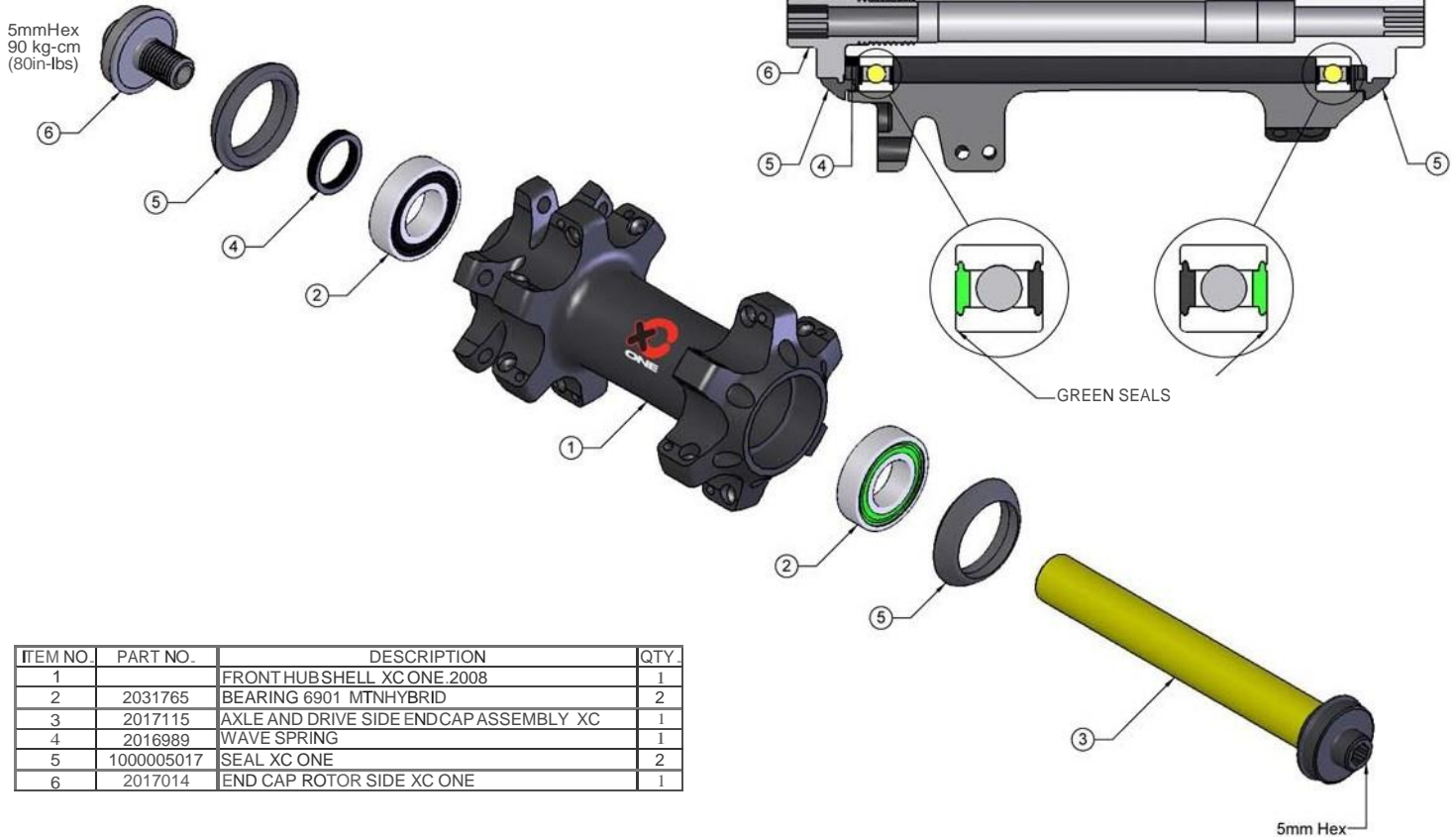


Easton XC One Front Hub, 2008



ITEM NO.	PART NO.	DESCRIPTION	QTY.
1		FRONT HUBSHELL XCONE 2008	1
2	2031765	BEARING 6901 MTNHYBRID	2
3	2017115	AXLE AND DRIVE SIDE ENDCAP ASSEMBLY XC	1
4	2016989	WAVE SPRING	1
5	1000005017	SEAL XC ONE	2
6	2017014	END CAP ROTOR SIDE XC ONE	1