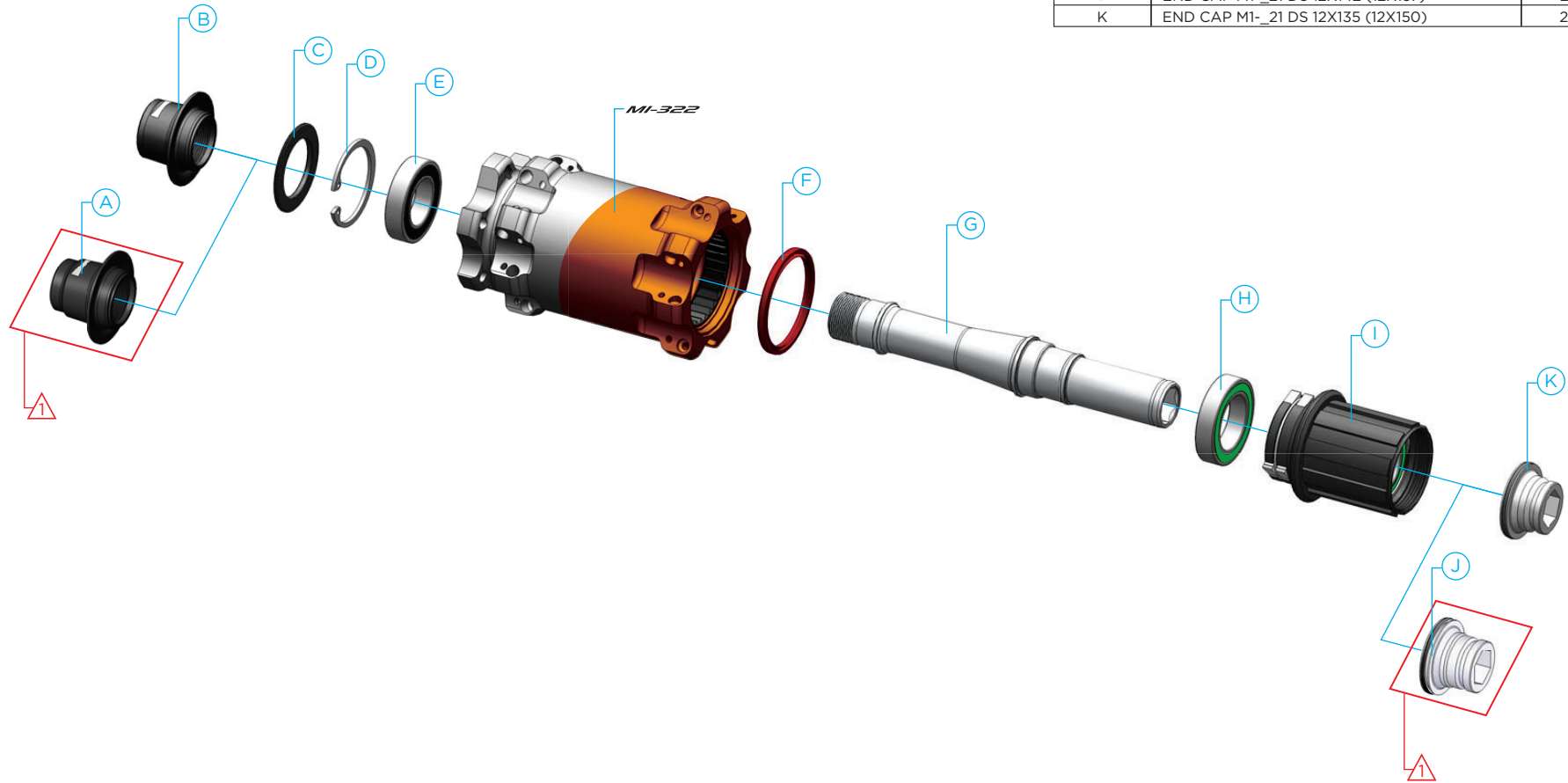


# REAR HUB M1-322

| HUB CODE | WHEELS                   |
|----------|--------------------------|
| M1 - 322 | HAVOC UST 12X150, 12X157 |

| LOCATION | DESCRIPTION                       | PART#             |
|----------|-----------------------------------|-------------------|
| A        | END CAP M1-322 NDS 12X157         | INCLUDED IN KIT 1 |
| B        | END CAP M1-322 NDS 12X150         | 2027402           |
| C        | SEAL 21.6MM ID X 32MM OD          | 2016052           |
| D        | RETAINING RING 30MM               | N/A               |
| E        | BEARING 6903 MTN HYBRID AM        | 2034791           |
| F        | SEAL CASSETTE BODY (RED)          | 2014361           |
| G        | AXLE HAVOC 12X150 M1-322          | 2027403           |
| H        | BEARING 6804 MTN HYBRID AM        | 2034794           |
| I        | CASSETTE BODY M1                  | 2016051           |
| J        | END CAP M1-_21 DS 12X142 (12X157) | 2031797           |
| K        | END CAP M1-_21 DS 12X135 (12X150) | 2031796           |



|   | KIT NAME                                  | KIT#    | PARTS INCLUDED |
|---|---|---------|----------------|
| ⚠ | END CAP KIT 12X157 CONVERSION             | 2032573 | A, J           |
|   | M1-322 REAR BEARING INSTALLATION TOOL KIT | 2034711 |                |