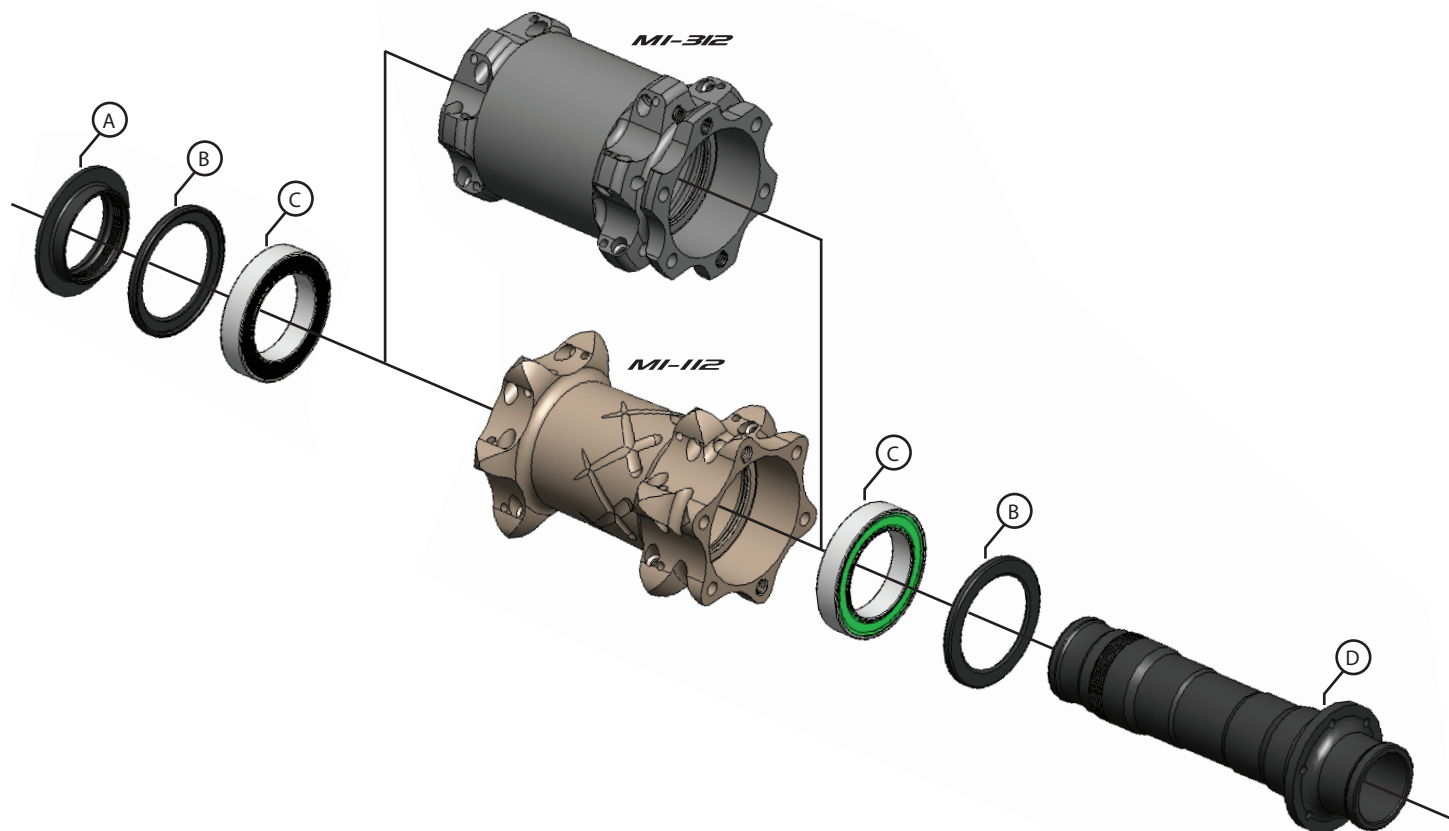


Hub MI - 312 Havoc Front; 20x110

Hub MI - 112 Haven Front; 20x110



Location	Description	Easton Part #
A	Adjuster, MI-_12 (w/ o-ring)	2031747
B	Seal, for 6805 bearing location	2031854
C	Bearing - 6805 MTN Hybrid	2031770
D	Axle, MI-_12, F20x110	2031757