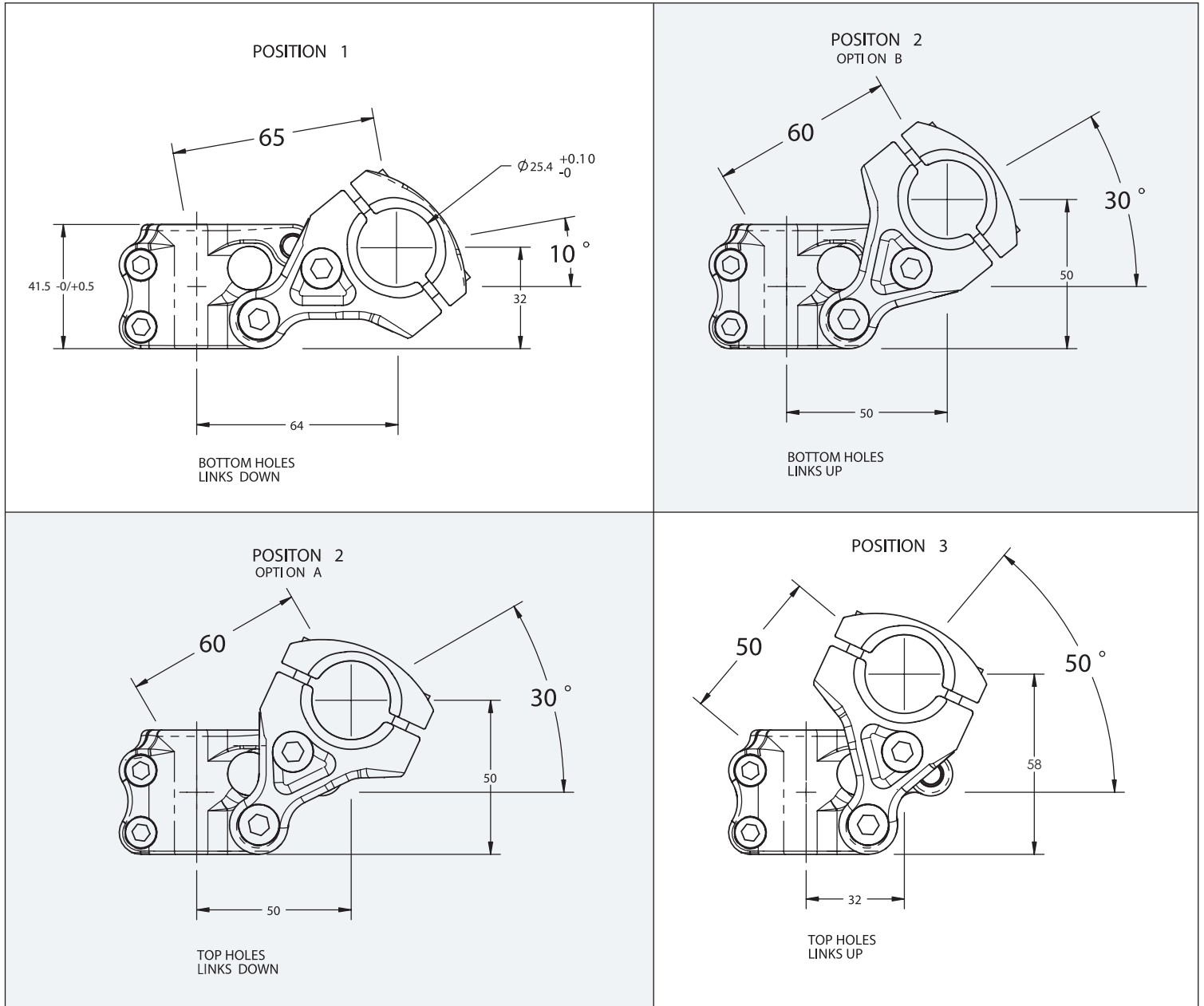




**EASTON**  
BIKE COMPONENTS

## Ad-Vice DH/FR Stem Position Specifications



**Torque Specifications:** Steerer clamp and Handlebar clamp bolts (M6) = 70 in-lbs (8 Nm)  
Adjustable Link Bolts (M8) = 150 in-lbs (17 Nm)